



AVAS

Audio visual alarm sequencer

PRESENTATION

- ▶ The **AVAS** system is an audible and visual alarm sequencer which functions are:
 - ▶ General alarm
 - ▶ Control of whistle and foghorn
 - ▶ Management of signals from and to Public Address System
- ▶ Its 7" color touchscreen user interface enables a clear and precise display of the control functions.
- ▶ AVAS is designed and Bureau Veritas approved to ensure the perfect management of the ship's audible and visual signals.
- ▶ **AVAS** system can be extended with additional functions to control light columns (**AVASXM**).



FUNCTIONAL CHARACTERISTICS

Display

- ▶ The display is provided by a 7" colour touch screen (AVAS_HMI which can be supplemented by 2 other screens (for large wheelhouse).

Equipment

- ▶ **AVAS** is a modular system composed of a processor module (AVAS_CPU), a 7" color touchscreen (AVAS_HMI).

Functions

- ▶ Control of the general alarm signal (7 short-1 long)
- ▶ Control of a manual call.
- ▶ Management of signals from and to the «Public address system».
- ▶ Whistle sequencer with one customizable signal.

AVAS_CPU

- ▶ Central processor of the system for I/O processing
- ▶ Management of the 2 power sources (main/emergency)
- ▶ Switched 24DC output for AVAS_HMI power supply
- ▶ 8 configurable digital inputs
- ▶ 3 configurable digital outputs
- ▶ 1 system fault output
- ▶ 1 output 24DC for whistle control

AVAS_HMI

- ▶ 7" touch screen display + HB option
- ▶ Integrated overview and quick function buttons.
- ▶ Light dimming + day/night mode
- ▶ Multi-language display (French, English, Spanish).
- ▶ Protected menu for setting up integrated I/O: channel assignment, input/output types.

AVAS inputs

- ▶ Abandon ship
- ▶ General alarm
- ▶ Fire alarm
- ▶ Manual internal call
- ▶ whistle
- ▶ Public address
- ▶ 2 additional inputs available

AVAS outputs

- ▶ Whistle (24Vdc - 0,5 A)
- ▶ System fault
- ▶ Sound signal output
- ▶ Warning light output
- ▶ Public address inhibition



APPROVALS

- ▶ Bureau Veritas

In compliance with COLREG 72 and IMO res.A1021 (26)



MECHANICAL CHARACTERISTICS

Dimensions (LxIxH) and weights

- ▶ AVAS_HMI: 176 x 135 x 29 + 5 mm 1.0 Kg
- ▶ AVAS_HMI_HB: 176 x 135 x 47 + 8 mm 1.3 Kg
- ▶ AVAS_CPU: 168 x 133 x 40 mm 0.5 Kg

Mounting

- ▶ AVAS_HMI: Built-in mounting in console / cabinet
- ▶ AVAS_CPU: Symmetrical DIN rail mounting



ELECTRICAL CHARACTERISTICS

Main power supply

- ▶ 9 - 32 VDC

Emergency power supply

- ▶ 9 - 32 VDC

Power supply switchover

- ▶ Automatic with alarms

Power supply protection

- ▶ By diode and fuse

Max. consumption @ 12VDC

- ▶ AVAS_HMI : 0.5A
- ▶ AVAS_CPU : 0.25A
- ▶ AVAS_HMI_HB: 1.4A

Max. consumption @ 24VDC

- ▶ AVAS_HMI : 0.3A
- ▶ AVAS_CPU : 0.2 A
- ▶ AVAS_HMI_HB: 0.7A

Connections

- ▶ Coded pluggable terminal blocks
- ▶ Max.section cable
1,5mm² (power supplies)
1mm² (inputs-outputs)

Output capacity

- ▶ Power supply output (CPU) : 1.5A
- ▶ 24VDC output (CPU and HMI) : 0.5A
- ▶ Digital outputs (CPU): 1A @24VDC

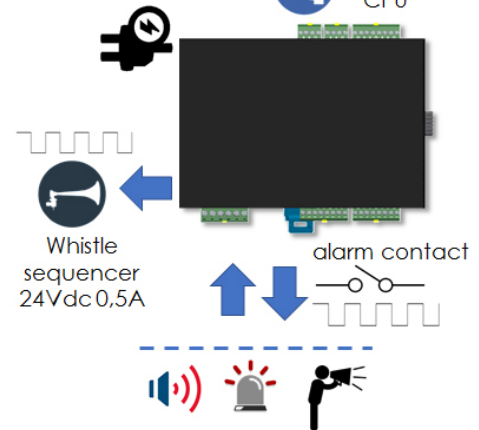
CONNECTION OVERVIEW

Up to 3 (*1) touch screens



1 Serial link RS485

12/24Vdc power main + emerg.



General alarm sequencer:

- 8 inputs
- 3 output 1A max in 24Vdc

(*1) dimensioning with 12Vdc power supply

ENVIRONMENTAL CONDITIONS



Temperature limits

- ▶ +5°C to 55°C (functioning)
- ▶ 0°C to 70°C (storage)



Humidity

- ▶ 95% Humidity max.



Ingress protection rating

- ▶ AVAS_HMI: IP66 (front)
IP20 (back)

REFERENCES & OPTIONS

- ▶ AVAS_HMI 7" color touch screen interface (Supplied with 3m cable for quick connection to AVAS_CPU)
- ▶ AVAS_HMI_HB 7" high brightness colour touchscreen interface
- ▶ AVAS_CPU Processor module

Optional references are available to enable a quick and complete installation:
(audible and visual devices, light columns, sounder beacon, sirens,...)



Tel. + 33 (0)2 98 52 16 44 - Fax : + 33 (0)2 98 64 74 05 - marinelec@marinelec.com - www.marinelec.com

sail safely

