



SIRIUS CPL

Warning and information
light column

PRESENTATION

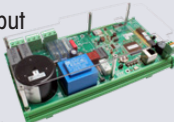


- ▶ The SIRIUS light column is our innovative and aesthetic solution for an effective audible and visual information in noisy areas.
- ▶ Our RGB LED technology for light animation allows for reduced weight and power consumption and flexibility in customization.
- ▶ Our AC Power Line Communication (PLC) technology allows to realize structured and important networks in full safety.
- ▶ One master card will manage up to 30 light columns. Thanks to an integrated Ethernet gateway, it is possible to manage several master cards in a network & to realize remote light column networks respecting the main fire portion of the ship.

FUNCTIONAL CHARACTERISTICS

Sirius master card

- ▶ 230Vac power supply input
- ▶ RJ45 Ethernet port input over Modbus TCP for external data exchange & management
- ▶ DIP-SWITCH addressing
- ▶ 230Vac PLC output (power supply + data)
- ▶ Management up to 15 Sirius slave cards, up to 30 sirius light columns
- ▶ Group or individual signal control with a perfect synchronisation
- ▶ Online network configuration & diagnosis
- ▶ Configuration saved on an embedded SD card
- ▶ General Alarm input (dry contact) for synchronisation with the Public Address signal



Sirius PLC slave junction box

- ▶ 230Vac PLC (power supply + data): 1 input + 2 outputs
- ▶ DIP-SWITCH addressing
- ▶ Management up to 2 sirius light columns in 24Vdc PLC, one dedicated output per column
- ▶ Automatic online light column configuration (picto. position & color)
- ▶ Management up to 4 sounder & beacon networks, 2 tons in 230Vac:
 - ▶ 4 visual outputs up to 1,5A max/output
 - ▶ 4 audible outputs up to 0.5A max/output
- ▶ Local test push button



Sirius light column

- ▶ 2 models:
 - ▶ 6 pictograms
 - ▶ 9 pictograms
- ▶ Control interface through Sirius slave card, a 2 wire cable required
- ▶ Vertical or horizontal mounting with two clamps (included)
- ▶ Pictogram backlight: RGB LED.
- ▶ Pictogram symbol: passive stickers (according to IMO standard)



Sirius sounder & beacon (**)

- ▶ Independent control of beacon & sounder
- ▶ Sounder: 230Vac, 120db @1m, 80 tons, 3 stages, red frame
- ▶ Beacon: Xenon, 15J, 1Hz, orange or red lens
- ▶ MED approved



APPROVALS

Column conforms to the following regulations:



- IMO Resolution A686 (17)
- IMO Resolution A830 (19)
- Certified by Bureau Veritas



MECHANICAL CHARACTERISTICS



	Dimensions (HxWxD in mm)	Weight (Kg)	Mounting
Master card	125 x 235 x 77	0.8	DIN rail
Slave JB	264 x 289 x 114	2	surface
SIRIUS_6V	103 x 802 x 130	0.9	surface: vertical or horizontal
SIRIUS_9V	103 x 1102 x 130	1.3	
Sounder & beacon	270 x 214 x 182	2.3	surface

ELECTRICAL CHARACTERISTICS

Main power supply

- ▶ 230Vac 50/60Hz

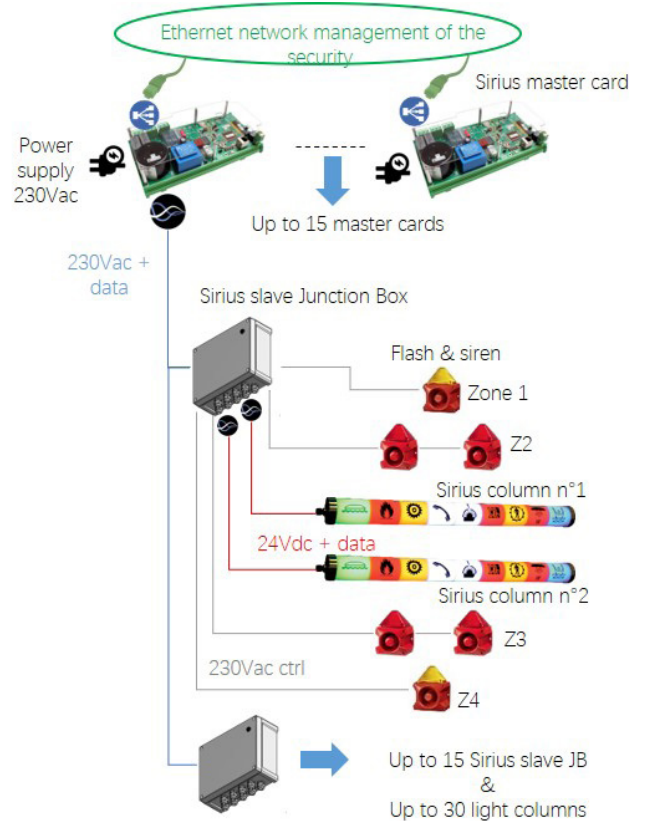
Consumption

- ▶ Master Card: 12A max.
- ▶ Slave JB: 8A max.
- ▶ SIRIUS 6V: 55mA/picto, 330mA max
- ▶ SIRIUS 9V: 55mA/picto, 495mA max
- ▶ Sounder: 110mA
- ▶ Beacon: 335mA

Electrical connection

- ▶ Master card:
 - RJ45 socket, Ethernet com.
 - AC power: 3 terminal blocks in 3 x 2.5mm²
- ▶ Slave JB:
 - AC power supply: 3 terminal blocks in 3x2.5mm²
 - AC sounder & beacon: 4 terminal blocks in "2+3"x1.5mm²
 - Light column: 2 terminal blocks in 3x1.5mm²
- ▶ SIRIUS column: 3 pole 1.5mm² joint connector

CONNECTION OVERVIEW



ENVIRONMENTAL CONDITIONS



Temperature limits

- ▶ 0°C to 55°C (functioning)
- ▶ 0°C to 70°C (storage)



Humidity

- ▶ 95% Humidity max.



Protection rating

- ▶ Master card: IP20
- ▶ Slave JB & light column: IP55
- ▶ Sounder & beacon: IP66

REFERENCES & OPTIONS

- ▶ SIRIUS_CPL_M: Sirius Master card
- ▶ SIRIUS_CPL_BJ_CTRL: Sirius PLC slave junction box, 2 light column outputs
- ▶ SIRIUS_CPL_6V: PLC Light column 6 pictograms (*)
- ▶ SIRIUS_CPL_9V: PLC Light column 9 pictograms (*)
- ▶ FSxR230_54PE : sounder & beacon 230VAC, 120db, 15J (**)

(*) symbol & orientation of pictograms have to be indicated at the order

(**) other model possibility on demand (ex: ATEX)



Tel. + 33 (0)2 98 52 16 44 - Fax : + 33 (0)2 98 64 74 05 - marinelec@marinelec.com - www.marinelec.com

sail safely

