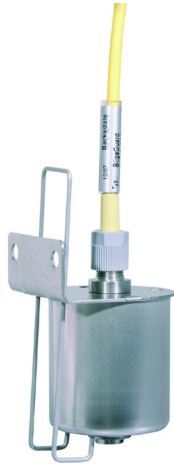




VIGIFLO_B

Water ingress detection



PRESENTATION

- ▶ VIGIFLO level detectors provide detection of water ingress onboard ships.
- ▶ We offer products with line monitoring VIGIFLO_B_SL or without line monitoring VIGIFLO_B.
- ▶ Integral protection of the float against risks of blockages and mechanical shocks.
- ▶ Integrated test rod for quick test.
- ▶ Small footprint.

FUNCTIONAL CHARACTERISTICS

VIGIFLO_B

- ▶ Simple interface to alarm panel or alarm monitoring system.
- ▶ Particularly suitable for monitoring flooding in holds (engine room, wheelhouse, forepeak, cooler, etc.).
- ▶ Approved by the BV.

VIGIFLO_B_SL

- ▶ Simple interface to alarm panel.
- ▶ Particularly suitable for monitoring flooding in holds (engine room, wheelhouse, forepeak, cooler, etc.).
- ▶ Integrated online monitoring functionality.
- ▶ Approved by the BV and MMF.



APPROVALS

- ▶ Bureau Veritas
- ▶ MMF (Division 361, Edition 2018)





MECHANICAL CHARACTERISTICS



Dimensions

▶ see diagram

Weights

▶ 180 g

Cable

▶ length 5m, 2x075mm²

Material

▶ stainless steel

ELECTRICAL CHARACTERISTICS

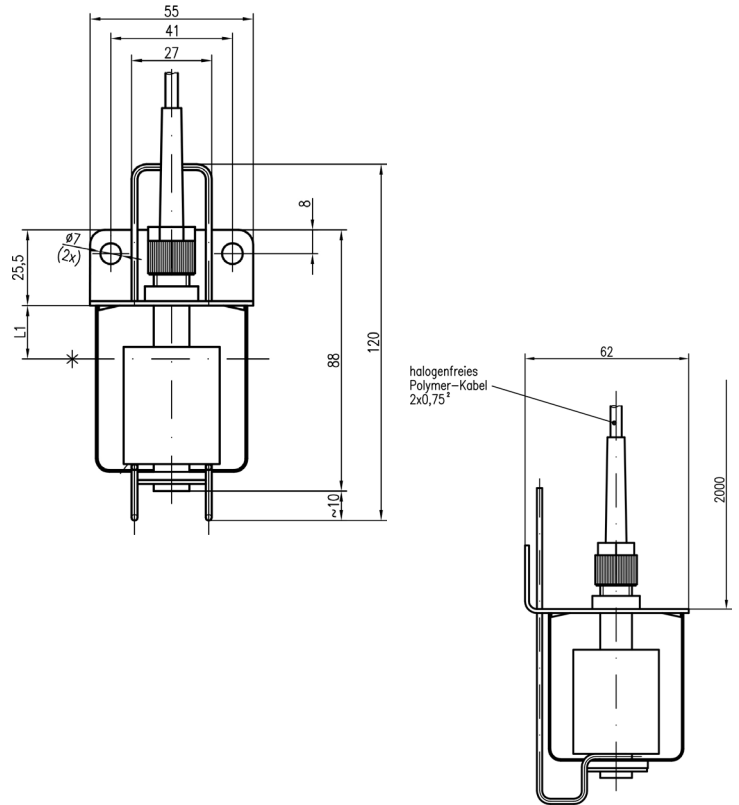
Electrical connection VIGIFLO_B

- ▶ 1 dry contact N.O. or N.C by reversing the direction of the float.
- ▶ Breaking capacity 0.5A at 24VDC.

Electrical connection VIGIFLO_B_SL

- ▶ Integrated resistors.
- ▶ Breaking capacity 0.5A at 24VDC.

CONNECTION OVERVIEW



REFERENCES & OPTIONS

- ▶ VIGIFLO_B : Water ingress detector without line monitoring.
- ▶ VIGIFLO_B_SL : Water ingress detector with line monitoring.

ENVIRONMENTAL CONDITIONS



Temperature limits

▶ -20°C to 70°C



Humidity

▶ 95%, at 40°C



Protection rating

▶ IP68



Tel. + 33 (0)2 98 52 16 44 - Fax : + 33 (0)2 98 64 74 05 - marinelec@marinelec.com - www.marinelec.com

sail safely

